

CSC-109TX

UHD Multi-Format to HDMI/HDBaseT Scaler



This multi-format to HDMI/HDBaseT scaler provides switching between five inputs including HDMI, VGA, and USB-C. Any selected source will be scaled to your preferred resolution for output over HDMI and HDBaseT.

This unit contains an audio DSP engine with auto-mixer and auto-gain functionality, allowing for the microphone source to be mixed with the audio from one of the video sources with independent volume control over the microphone input.

This unit is an ideal solution for presentations in classrooms and conference rooms. Controllable via front panel controls with an OSD, WebGUI, Telnet, RS-232, IR, and Trigger controls.

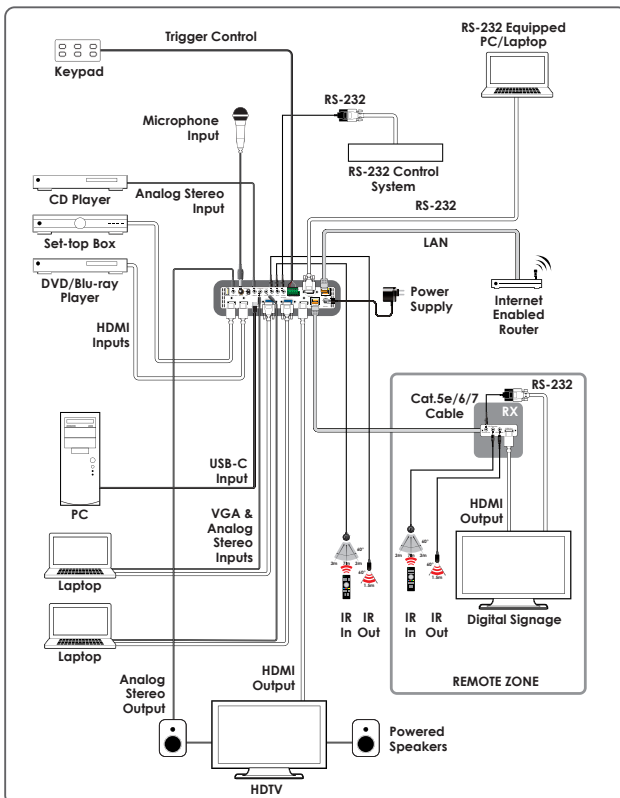
PANELS



Front View

Rear View

DIAGRAM



FEATURES

- HDBaseT can reach distances up to 100m/328ft at 4K@60 4:2:0 when using Cat.6a/7
- Supports pass-through of LPCM 2.0 digital audio
- Supports audio embedding, de-embedding Microphone input supports 48V phantom power (optional)
- Supports HDCP and EDID management

SPECIFICATIONS

Interfaces

Input Port	2 HDMI IN 1 USB-C IN 2 VGA IN (HD-15) 3 LINE IN (Analog Stereo) (3.5mm) 1 MIC IN (6.5mm)
Output Port	1 HDMI 1 HDBaseT (RJ-45) 1 LINE OUT (3.5mm)
Pass-through Port	1 IR OUT(3.5mm) 1 IR IN(3.5mm) 1 RS-232 BYPASS (3.5mm)
Control I/O	1 RS-232 (DB-9) 1 LAN (RJ-45) 5 INPUT CONTROL (6-pin Terminal Block)
Service Port	1 SERVICE (USB (Type-A))

Video

HDMI Compliance	HDMI 2.0 (DVI 1.0)
HDCP Compliance	2.2
Input Signal Types	4K@60 YUV 4:4:4
Output Signal Types	4K@60 YUV 4:2:0

Resolutions

Maximum Input	HDMI	4096×2160p@60 YUV 4:4:4
	USB-C	4096×2160p@60 YUV 4:4:4
	VGA	1920×1200p@60RB
Maximum Output	HDMI	4096×2160p@60 YUV 4:4:4
	HDBaseT	4096×2160p@60 YUV 4:2:0

Audio

HDMI	LPCM (8 Channels)
Line In	2 Vrms
Mic In	4 Vrms
Line Out	2Vrms Frequency Response: < ±1dB@20Hz~20kHz SNR: > 102dB@0dBFS Crosstalk: < -63dB@10kHz

Power

Power Supply	24V/5A DC (Locking)
Power Consumption	102W

Enclosure

Chassis Material	Metal (Steel)
Chassis Color	Black
Dimensions (W×H×D)	219mm×43mm×156mm [Case Only] 219mm×51mm×162mm [All Inclusive]
Weight	1308g
Rackmount Size	1U Half-Rack

Field Firmware Update

USB Flash Drive, WebGUI

ORDERING INFORMATION

Model No.	Product Description
CSC-109TX	UHD Multi-Format to HDMI/HDBaseT Scaler
CH-1529RX	HDCP 2.2 & HDMI2.0 Extender with OAR / Audio Insertion (PD)
CH-1527RX	HDMI over CAT5e/6/7 Receiver with LAN/IR/RS-232/PoE (PD)

